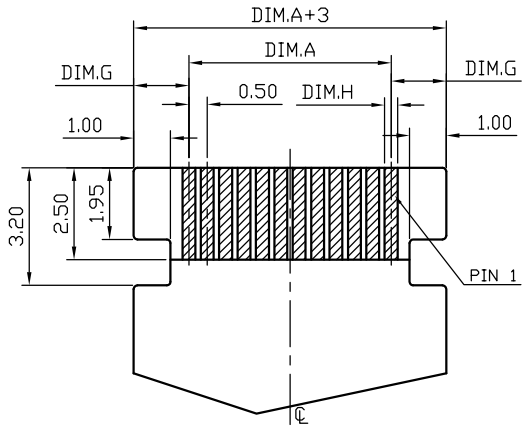
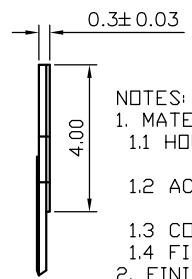


RECOMMENDED PCB LAYOUT
GENERAL TOLERANCE ±0.05



RECOMMENDED FPC/FFC DIMENSIONS
GENERAL TOLERANCE ±0.05



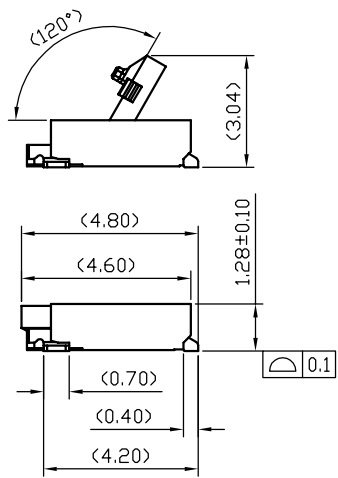
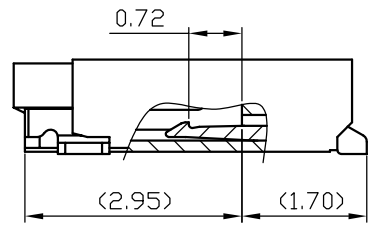
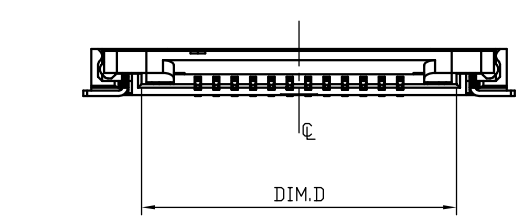
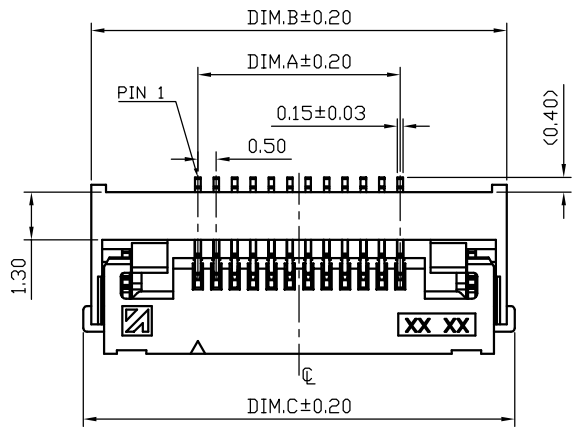
- NOTES:
- MATERIAL:
 - HOUSING: THERMOPLASTIC, HIGH TEMP., UL94V-0;
 - ACTUATOR: THERMOPLASTIC, HIGH TEMP., UL94V-0;
 - CONTACT: COPPER ALLOY
 - FITTING NAIL: SUS
 - FINISH:
 - CONTACT:
 - 50μ" MIN. NICKEL UNDERPLATING OVERALL.
 - GOLD FLASH PLATED ON CONTACT AND SOLDER AREA
 - FITTING NAIL:
 - 50μ" MIN. NICKEL UNDERPLATING OVERALL.
 - 80μ" MIN. MATT TIN ON SOLDER AREA
 - SPEC. PLS. REFER TO PS-52545-XXXX-XXX
 - PACKAGE PLS REFER TO 52545-XXXX-U-TRP
 - PART NUMBER

52545-XXX X X-XXX

NO OF CKT	ATX	HOUSING COLOR	ACTUATOR COLOR
	001	NATURAL	BLACK

PACKING
0: TAPE & REEL

PLATING
2: GOLD FLASH ON CONTACT



	FPC	FFC
DIM.G	1.5±0.1	1.5±0.08
DIM.H	0.35±0.05	0.3±0.05

CKTS	DIM.A	DIM.B	DIM.C	DIM.D	DIM.E	DIM.F
004	1.5	7.3	7.73	4.56	5.2	7.9
012	5.5	11.3	11.73	8.56	9.2	11.9

QUALITY SYMBOLS MAJOR Ⓢ CRITICAL Ⓢ GENERAL TOLERANCES (UNLESS SPECIFIED) .X ±0.5 .X ±0.25 .XX ±0.15 .XXX ±0.1 ANGLES ±2°	DRAWN BY Zhu,Wei DATE 22/05/09	
	CHECKED BY Xu, ZhiYong DATE 22/05/09	
APPROVED BY Xu, ZhiYong DATE 22/05/09	UNITS mm	SIZE A4
SCALE 5:1	SHEET NO. 1 OF 1	REV A
		RFO NO. N/A
		DWG NO. 52545-XXXX-XXX